



STOKES

Appliance Parts

Service Manual

Thermostats & Controls Section D

Includes:

Thermostats, Controls, Simmerstats &
Rotary Switches

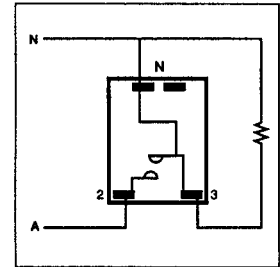
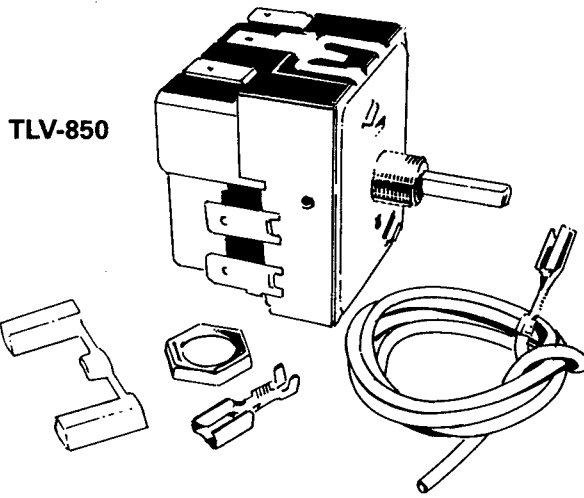
Stokes Appliance Parts - National Administration Centre

24 Palmerston Road West, Ringwood, Victoria 3134, Australia

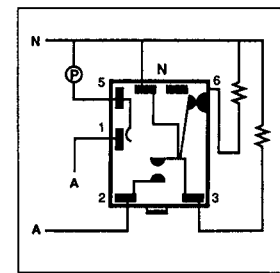
Ph: 61 3 9872 7474 Fax: 61 3 9872 7400 Freecall: 1800 333 191

E-mail: parts@stokes-aus.com.au Web: www.stokesap.com.au

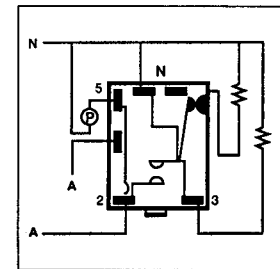
Vers-A-Fix Controls



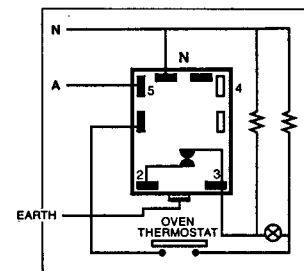
T4



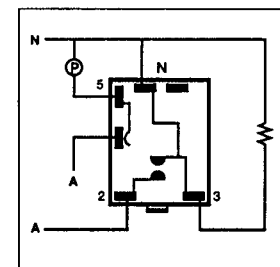
TD1S



TD5

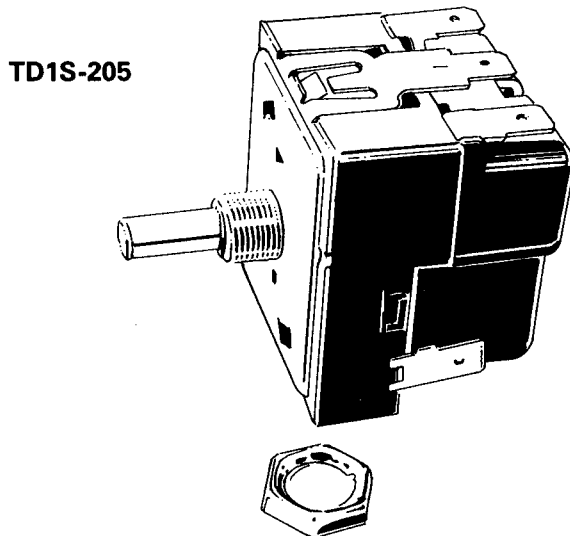


TLV

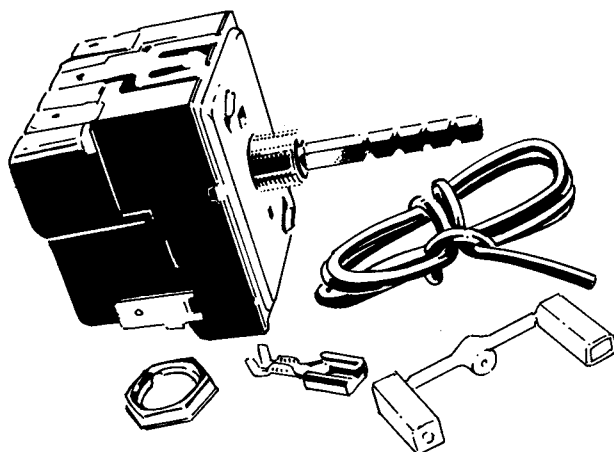


TS1

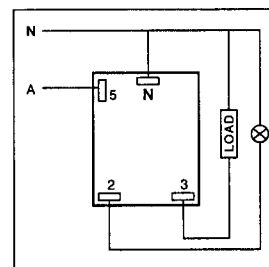
Cat. No.	Description
T4-204	Energy Regulator. 10 amp. Single device.
TD1S-205	Energy Regulator. 15 amp. Single device or two devices in parallel.
TLV-850	Energy Regulator.
TS1-204	Energy Regulator. 15 amp. Load device and pilot on separate supply.



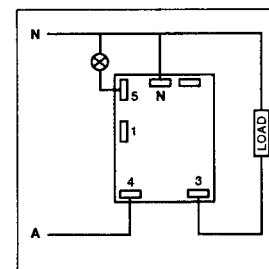
Vers-A-Fix Controls



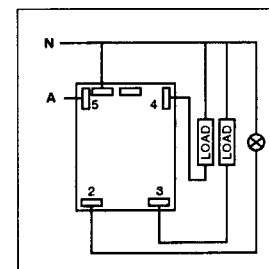
ELECTRICAL RATING
15 amps resistive load (3.6kW) 240v AC



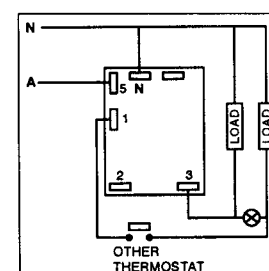
T3V & T3



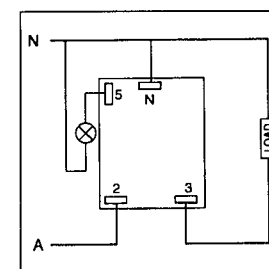
TSV



TD3V



TLV & TL



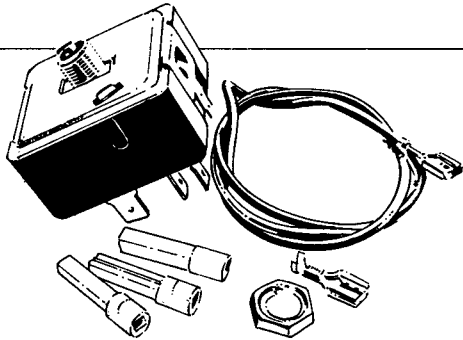
TP

Cat. No.	Description
T3V-700K	Vers-A-Fix Infinite Control. 3/16" break off shaft 1/4" + 6mm shaft adaptor, 2 Utilux spade terminal connectors.
TD3V-800K	Vers-A-Fix Infinite Divided Control. Includes same as above.
TD3-204K	Vers-A-Fix Infinite Control. Includes neutral lead, double adaptor connectors, female connector, mounting nut. Used on Everhot ranges. (Replaces Australian Controls Part No. KDIII)
T3-204K	Vers-A-Fix Infinite Control. Includes same as above plus active lead. Used on Everhot ranges. (Replaces Australian Controls Part Nos. KV164 and KV165)
TP-105K	Vers-A-Fix Infinite Control. With 1/2" bush thread. (15 amp 240 volt (3.6kW)). Replaces Sunvic Part No. TYJ02B
TL-202K	Vari-Grill Control – Used on Frigidaire Ranges. (Replaces Australian Controls Part No. KVL-103)
TSV-600	Vers-A-Fix Replacement Kit. For most "TS" New Zealand switches.
T3V-102	Energy Regulator. Shaft length 25mm. Can replace TP & T5 type controls.

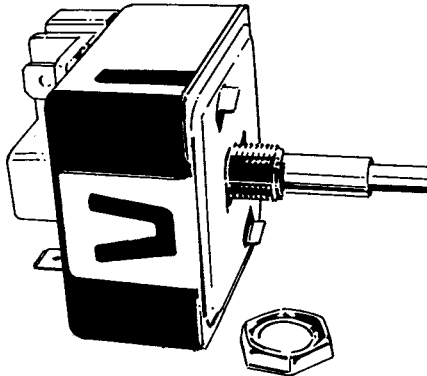
Cat. No.	Description
102K	Knob and Skirt – infinite control (hotplate)
104K	Knob and Skirt Divided – infinite control
105K	Knob, Plain, no skirt

SEE KNOB SECTION FOR OTHER TYPES

Uni-Line Controls



ELECTRICAL RATINGS
12 amps resistive load (3.0kW) 240v AC



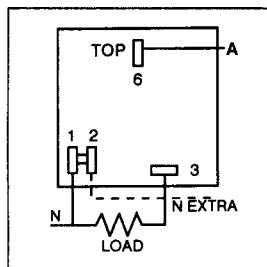
INFINITE CONTROLS

Cat. No.	Description
323-14	Universal Infinite Control. Double pole (includes 3/16" and 1/4" shafts) + 6mm
553-14	Universal Infinite Control. Single pole phase pilot (includes 3/16" and 1/4" shafts) + 6mm
583-14	Universal Infinite Control. Single pole separate phase pilot (includes 3/16" and 1/4" shafts) + 6mm
823-14	Universal Infinite Control. Divided circuit (includes 3/16" and 1/4" shafts) 6mm
552-05	Infinite Control. (Solid steel shaft)
552-08	Infinite Control. (Solid steel shaft) (Chef)
553-12	Infinite Control. (Solid steel shaft)
322-05	Infinite Control to suit hotplates of St George models Constellation QW370 & Q370, Grillmaster XGV370 & SG370, Supermatic U370
922-05	Infinite Control to suit top oven element of St George Model Supermatic U81FO, Grillmaster XG81, XGV81 and XGE81
922-06	Infinite Control. To suit some Chef grill element applications

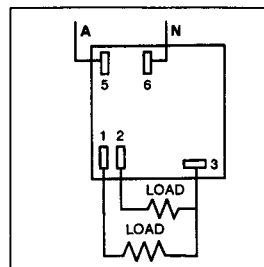
INFINITE CONTROLS – Lighted Shaft

Cat. No.	Description
592-00	Infinite Control (lighted shaft) – Chef
802-00	Divided Infinite Control (lighted shaft) – Chef

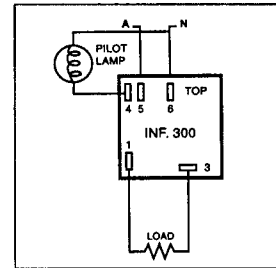
The lighted shaft infinite control cannot be replaced by Universal infinite controls.



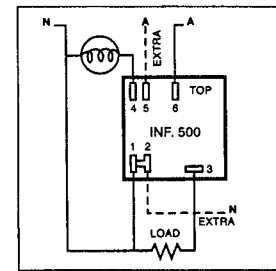
592-00 Single Pole Switching



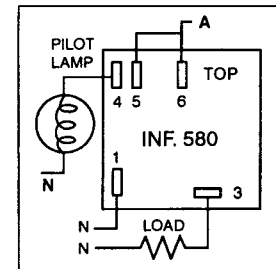
802-00 Divided Circuit



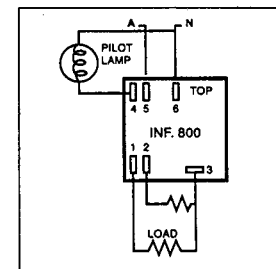
300 Series



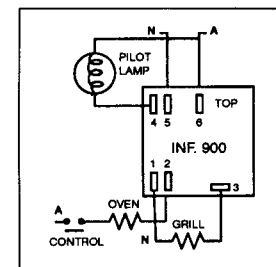
500 Series



580 Series

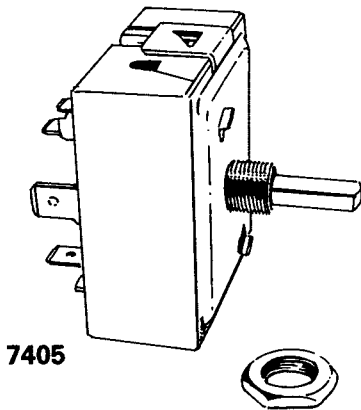


800 Series

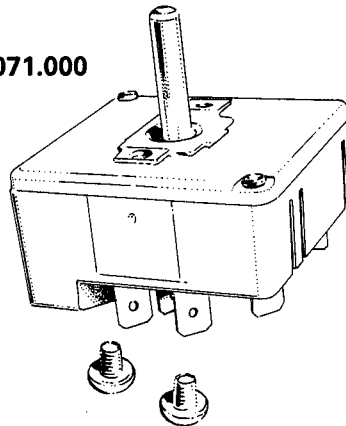


900 Series

Controls/Simmerstat



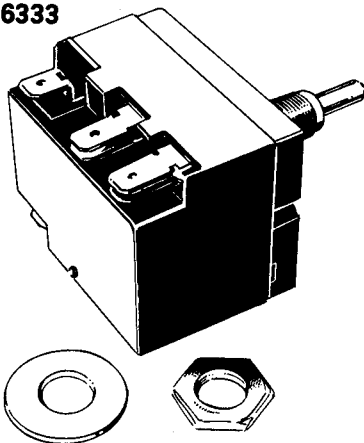
50.37071.000



EGO ENERGY REGULATOR

Cat. No.	Description
7405	Energy Regulator. 13 amp. EGO 50-56078-007
50.37071.000	Infinite Control. Double pole. 12 amp. - EGO
50.57071.010	Infinite Control. Double pole. 12 amp. - EGO
9682	Divided Control. 12 amp. 240v. EGO 50.27071.600 (St George)
9783	Divided Control. 12 amp. 240v EGO 50.55073.002

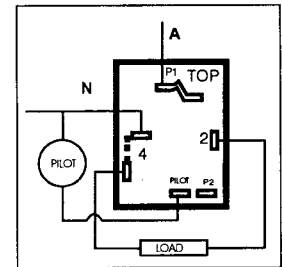
TYJ6333



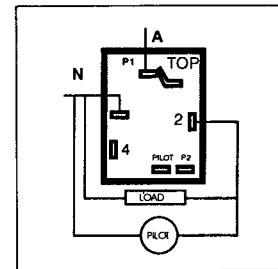
TYJK

SUNVIC SIMMERSTAT

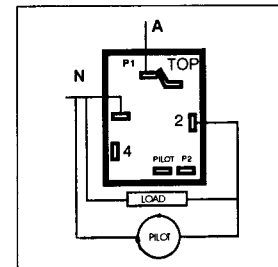
Cat. No.	Description
TYJ6333	Simmerstat 15 amp. 240v. Replaces T3-203, TYJ02B, TI203
TYJK	Knob for TYJ6333



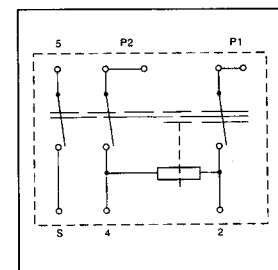
7405 STANDING PILOT



7405 CYCLING PILOT

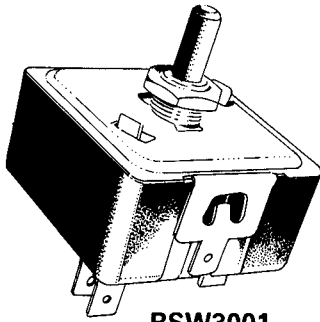


TYJ6333

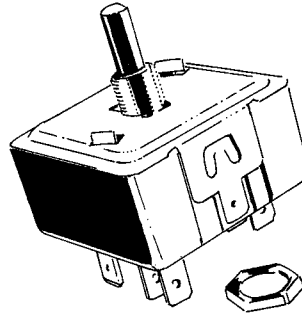


50.37071.000

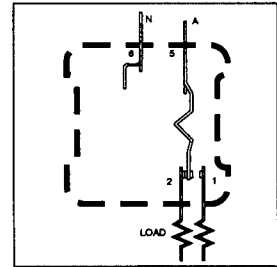
Rotary Switches – Robertshaw



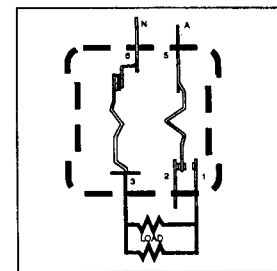
RSW3001



RSW6001



RSW3001



RSW6001

Cat. No.

Description

RSW3001	3 Position Heat Switch. F&P – 471312/replaces 9990
RSW3002	3 Position Heat Switch. F&P – 572506/replaces 9991

SWITCHING SEQUENCE RSW3001

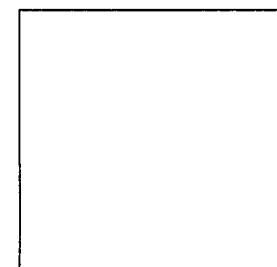
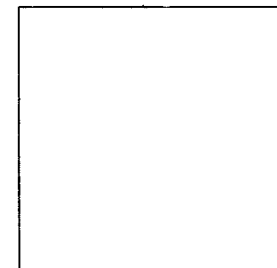
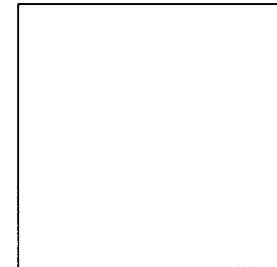
Position / Contact	1 (0°)	2 (60°) ↺	3 (-60°) ↻			
6 & 3	O					
5 & 2	O	C	O			
5 & 1	O	O	C			

LEGEND: O = Contacts Open
C = Contacts Closed

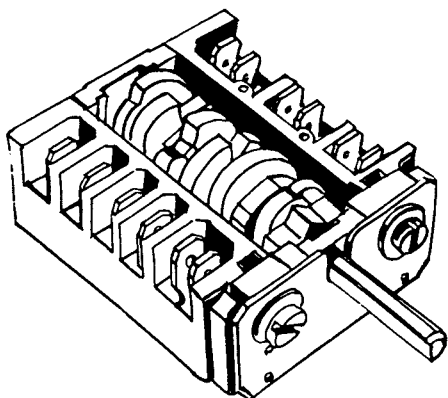
RSW6001 6 POSITION HEAT SWITCH SWITCHING SEQUENCE

Position / Contact	1 (0°)	2 (60°)	3 (120°)	4 (180°)	5 (240°)	6 (300°)
6 & 3	O	O	C	C	C	O
5 & 2	O	C	C	C	O	O
5 & 1	O	O	O	O	C	C

LEGEND: O = Contacts Open
C = Contacts Closed

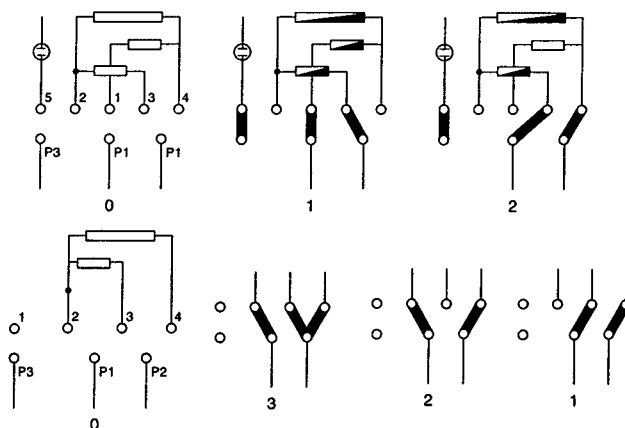
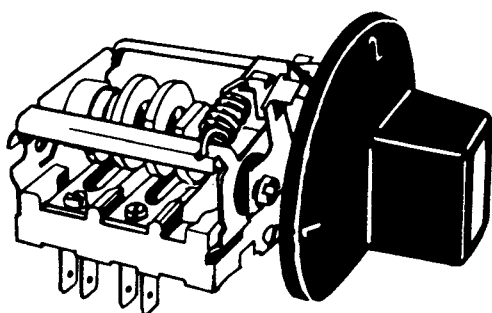


Rotary Switches – EGO

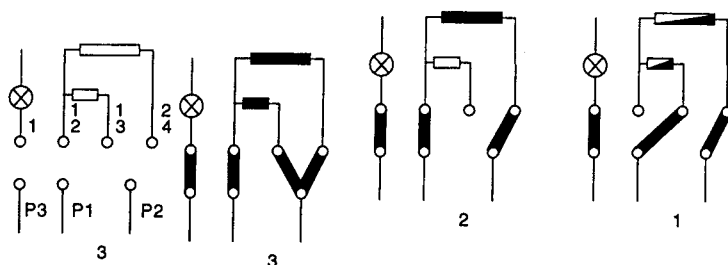
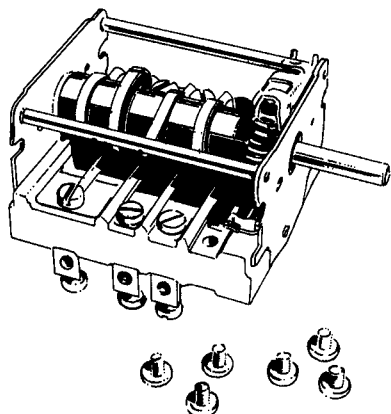


SWITCH POSITIONS	0	6	5	4	3	2	1
CIRCUIT DIAGRAM							

Cat. No.	Description
7403	Rotary Switch. 6 heat, 7 position 16 amp. 240v (clockwise) – 46.27266.620

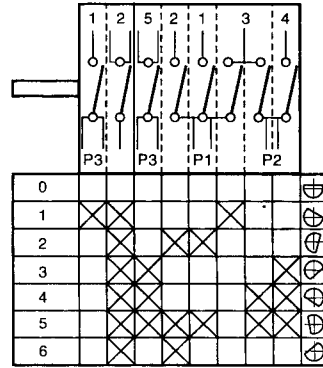
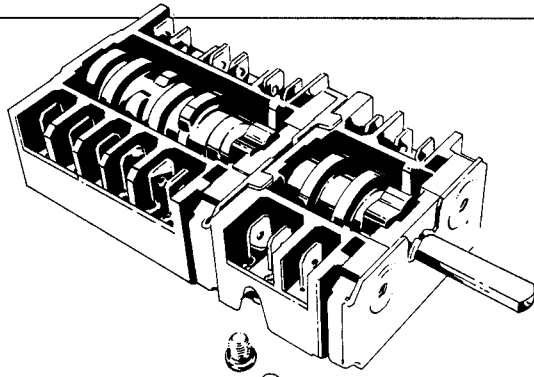


7404	Rotary Switch. 3 heat, 4 position 16 amp. 240v (anti-clockwise). Complete with Knob (7404K) and Mounting Adaptor – EGO 49.24015.500
-------------	---



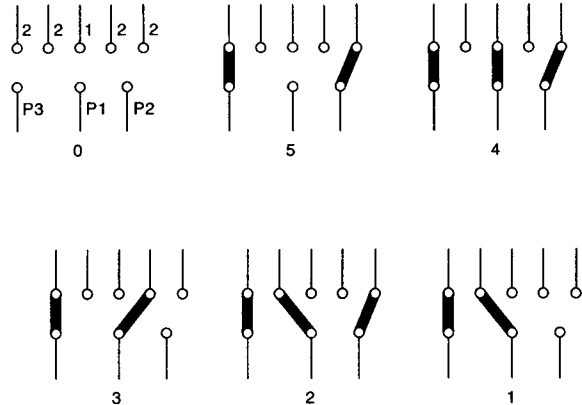
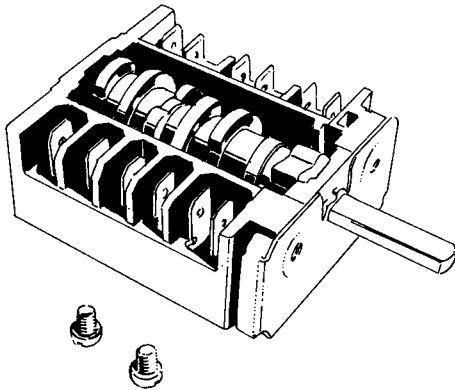
7419	Rotary Switch. 3 heat, 4 position 32 amp. – EGO 43.24232.000 7404K Knob to suit.
-------------	---

Rotary Switches – EGO (continued)

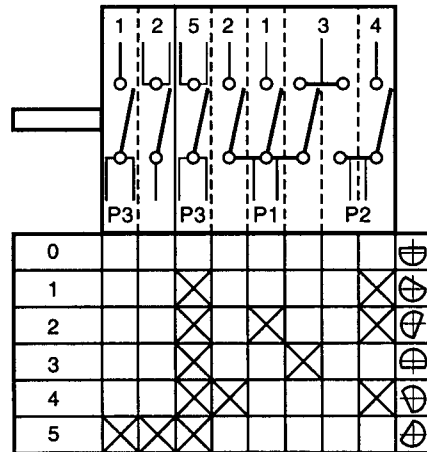
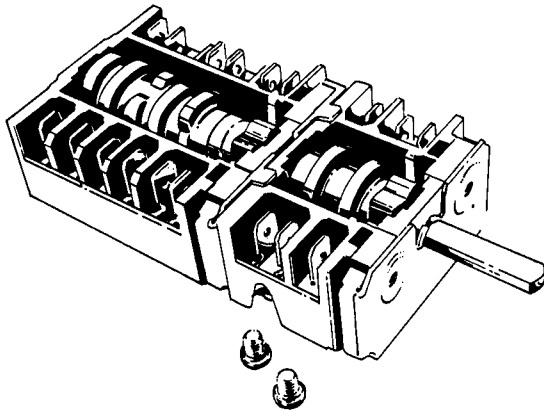


Cat. No. Description

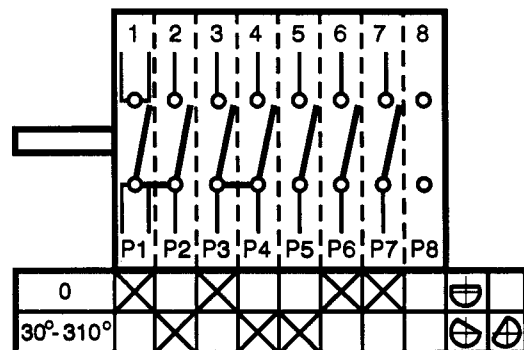
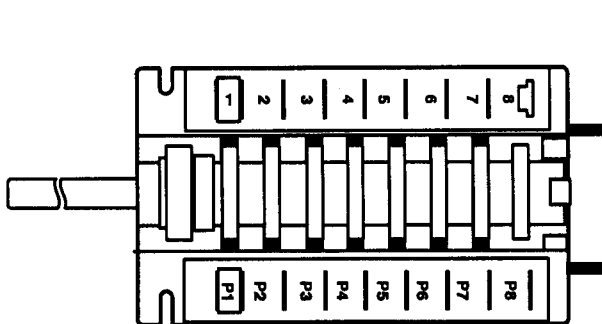
9679 Rotary Switch. 7 Position. EGO 46.47966.502



9680 Rotary Switch. 6 Position. EGO 46.26866.501

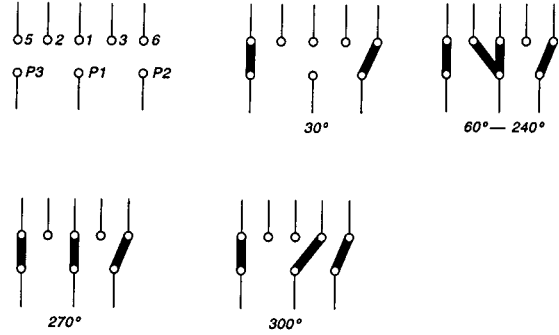
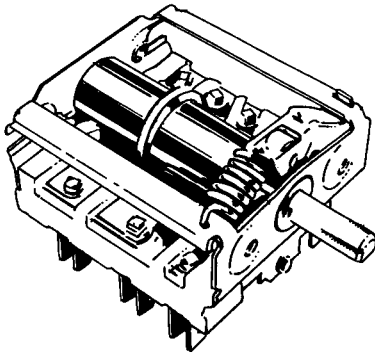


9681 Rotary Switch. 6 Position. EGO 46.36866.501

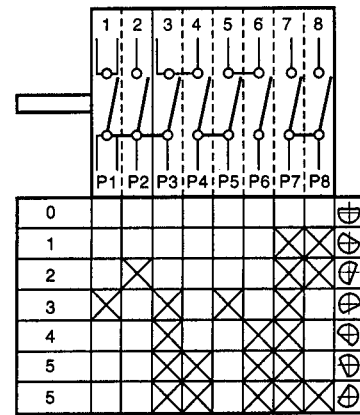
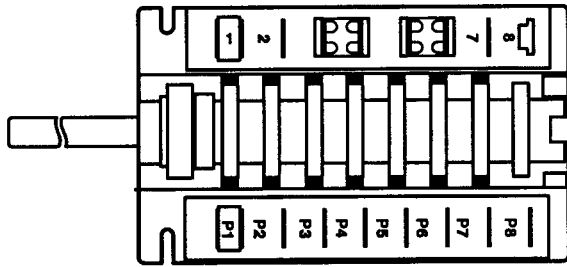


9778 Rotary Switch. (Piggy-back model) Chef 49372, EGO 42.02000.003

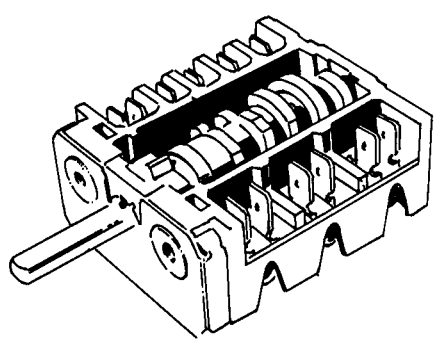
Rotary Switches – EGO (continued)



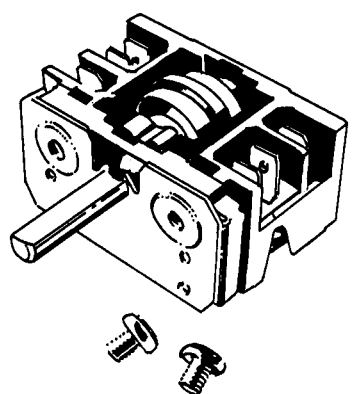
Cat. No.	Description
9842	Multi Position Switch. EGO 49.23915.690



9978	Selector Switch. 7 Position. Chef 48710. EGO 42.07000.005
------	---

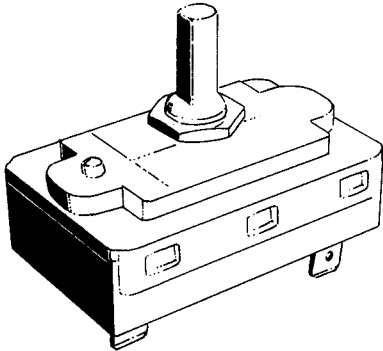


9988	Multi Position Switch. F&P 572242. EGO 46.37966.503
------	---

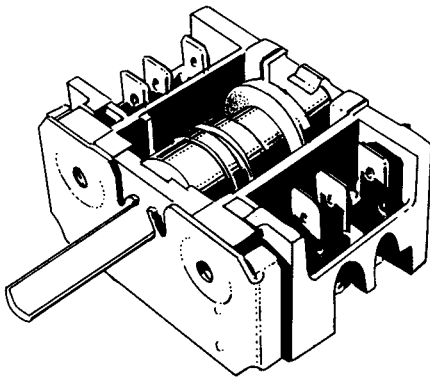


9989	Rotary Switch. F&P 572689. EGO 46.26966.503
------	---

Rotary Switches – Others

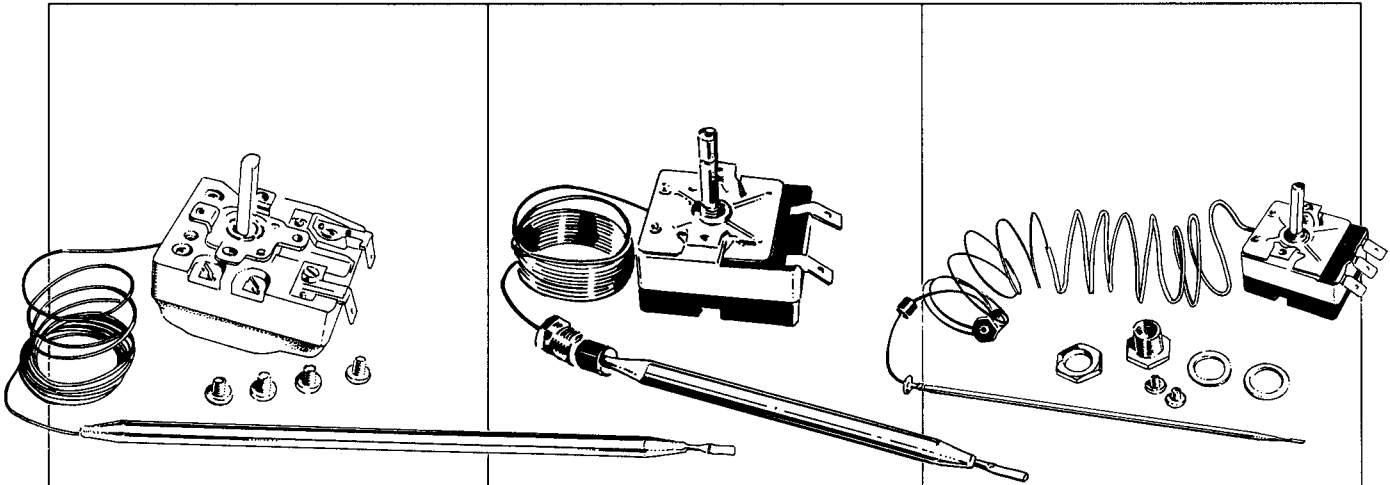


Cat. No.	Description
9979	Rotary Switch. Swann 91 Series. Chef 47792.



9980	Selector Switch. 4 Position. 6 pin. Chef 46431.
------	---

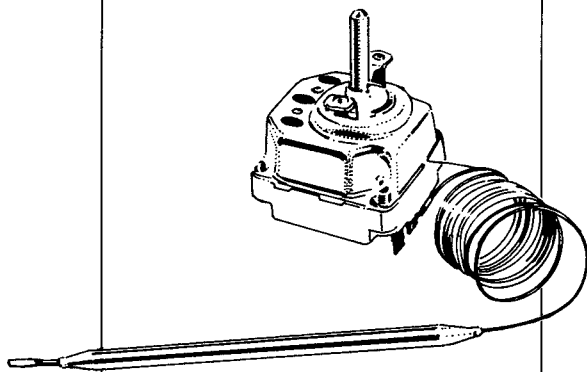
Capillary Thermostats – EGO



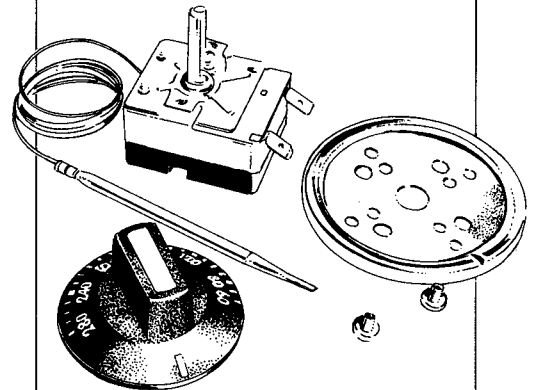
51.01995.050
45-110° 20 amp/240v
EGO 51.01995.050

55.13024.020
30-110° 16 amp/240v with gland
(replaces G1-502)

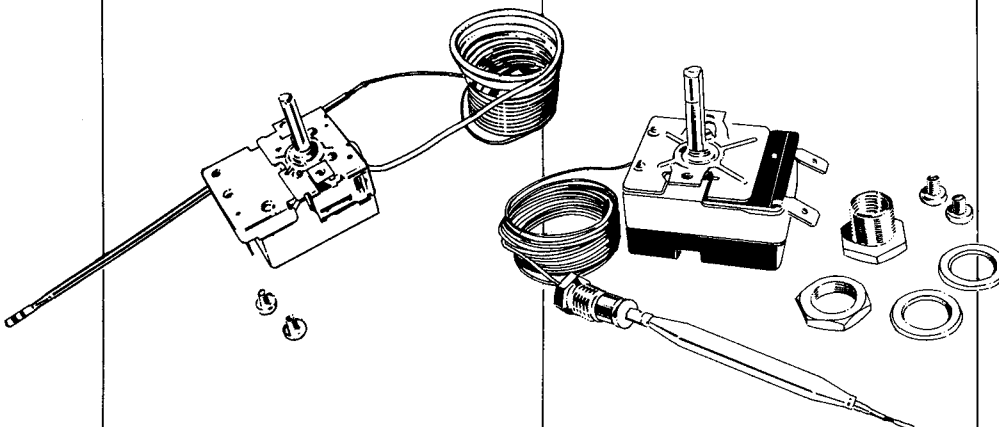
55.13244.010
50-250° 16 amp/240v SPDT, complete
with gland – EGO



55.34024.040
30-110° 16 amp/240v TPST
– Commercial Water Boilers



7011-A (Kit)
65-288° 16 amp/240v SPST
Kit includes Knob Bezel and Screws

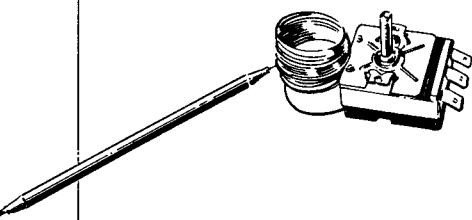
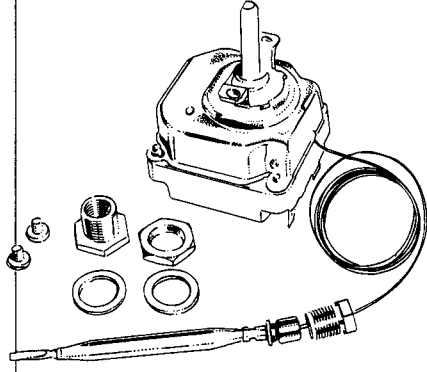
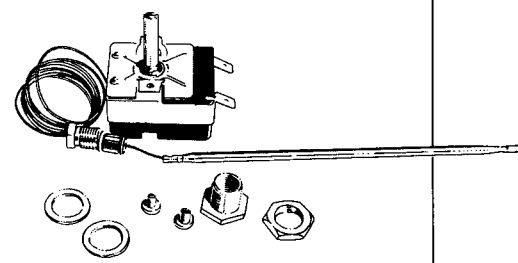
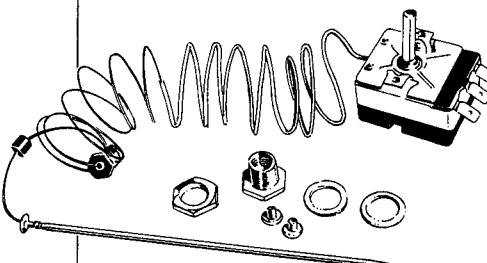
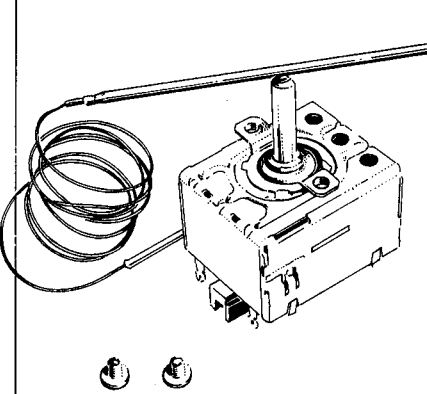
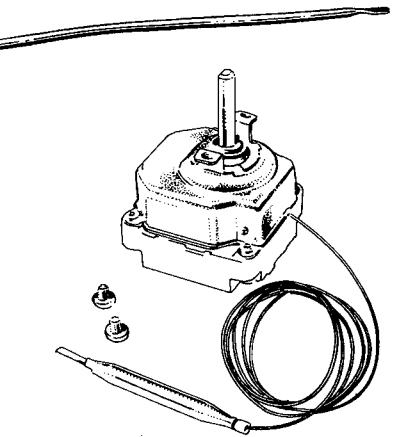
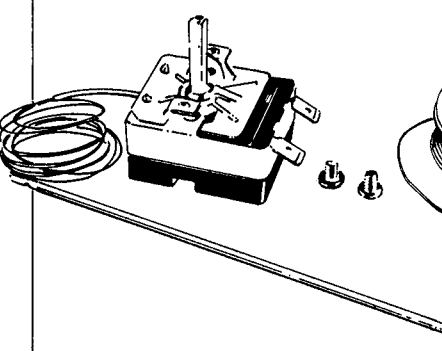
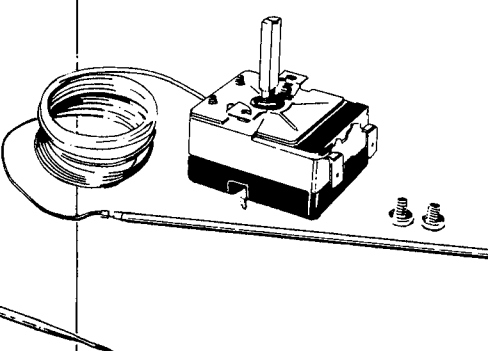
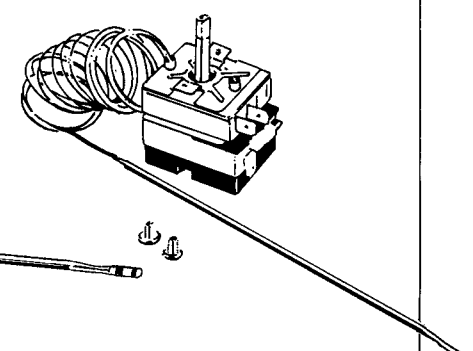


7401 (Aux)
50-320° 16 amp/240v SPST
EGO – 55.13664.010 and 55.18664.020
Knob to suit - 7401K

7407
60-200° 16 amp/240v SPST
EGO – 55.13034.040. Fish and Deep Fat
Fryers. Knob to suit - 7407K

7409
65-288° 16 amp/240v SPST
EGO – 55.13052.110. Suits some Pacific
Gorenje. Knob to suit - 7409K

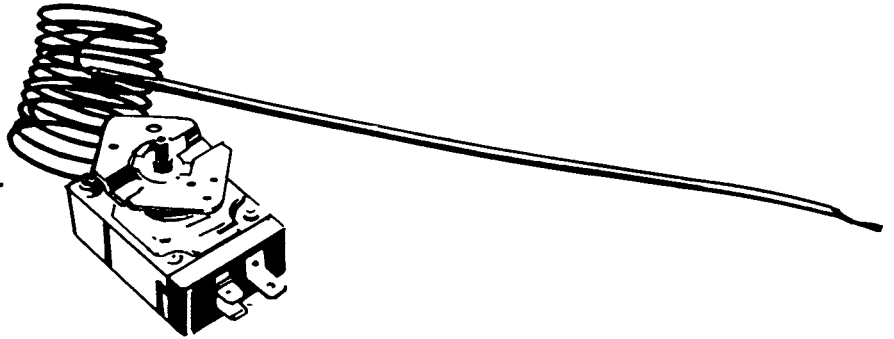
Capillary Thermostats – EGO (continued)

 <p>7411 20-50° 16 amp/240v SPDT EGO 55.13202.130 Hot Houses and Incubators</p>	 <p>7412 68-200° 16 amp/240v TPST EGO 55.34032.050 Fish and Deep Fat Fryers</p>	 <p>7413 95-205° (Millivolt) .5 amp/12v SPST (gold contacts). EGO 55.13042.230</p>
 <p>7414 50-250° 16 amp/240v SPDT EGO 55.13244.010 Ovens and Steam Ovens</p>	 <p>7415 50-450° 16 amp/240v SPST EGO 55.15072.010 Pizza Ovens</p>	 <p>7418 50-300° 16 amp/240v TPST EGO 55.34052.010 Commercial Ovens 3 pole</p>
 <p>9629 50-320° Manual Reset. 16 amp/240v SPST EGO – 55.13452.010 Knob to suit – 9629K</p>	 <p>9780 50-320° 16 amp/240v SPST F&P – 571071/Chef 44100 EGO – 55.13064.110</p>	 <p>9781 50-320° 16 amp/240v SPST EGO – 55.13664.070. Fits some St George</p>

Capillary Thermostats – Robertshaw

UNIVERSAL (Type) DOMESTIC RANGE THERMOSTATS

Temperature range 70°- 290°C.
Electrical rating 20 amp 240V
AC resistive



Catalogue No.	Description
EA3-447-08	EA3 Universal Thermostat includes 3/16" + 1/4" adaptor shafts & lock nut (Replacement for GIV-902)
101	Palnut Mounting Adapter Kit to suit EA3 Universal Thermostat
103	Knob & Skirt for Universal Thermostat EA3-447-08

WITH AUXILIARY SWITCHING FACILITIES

Operating Top and Bottom Oven Elements independently

Catalogue No.	Description	Capillary length	Bulb length x diam.
EA3AD-440-1	Auxiliary Thermostat – Roden, Chef, Malleys. (Replacement for EA3D-486-06, EA3A-458-01). Includes 3/16" + 1/4" adaptor shafts and lock nut	1.76m	300 x 4.8mm
EA3B-441-A <i>(limited avail.)</i>	Auxiliary Thermostat – St George, Illawarra, Westinghouse, Davell. (Replacement for EA3B-305-04 and EA3B-306-02). Includes 3/16" + 1/4" adaptor shafts and lock nut	1.44m	300 x 4.8mm
EA3CB-442-8	Auxiliary Thermostat – Chef, Osborne Prod., Simpson (Replacement for EA3CB-490-03 and EA3CB-456-07). Includes 3/16" + 1/4" adaptor shafts and lock nut	1.44m	300 x 4.8mm
EA3F-472-8 <i>(limited avail.)</i>	Auxiliary Thermostat – Malleys. (Replacement for EA3F-473-06, EA3F-475-02). Includes 3/16" + 1/4" adaptor shafts and lock nut	1.67m	300 x 4.8mm
EA3B-481-5	Auxiliary Thermostat – St George. (Replacement for EA3B-404-09, EA3B-404-42, EA3B-481-42). Includes 3/16" + 1/4" adaptor shafts and lock nut	1.32m	180 x 4.8mm
EA3A-491-3	Auxiliary Thermostat – Malleys. Includes 3/16" + 1/4" adaptor shafts and lock nut	1.44m	300 x 4.8mm
EA3A-485-8	Auxiliary Thermostat – Malleys	1.44m	300 x 4.8mm
EA3B-443-6	Auxiliary Thermostat – Metters – <i>(limited avail.)</i>	1.44m	180 x 4.8mm
EA3A-308-9	Auxiliary Thermostat – St George	1.44m	300 x 4.8mm

WIRING DIAGRAMS FOR ROBERT SHAW THERMOSTATS CAN BE FOUND ON PAGE 324

Thermostats – General Specifications

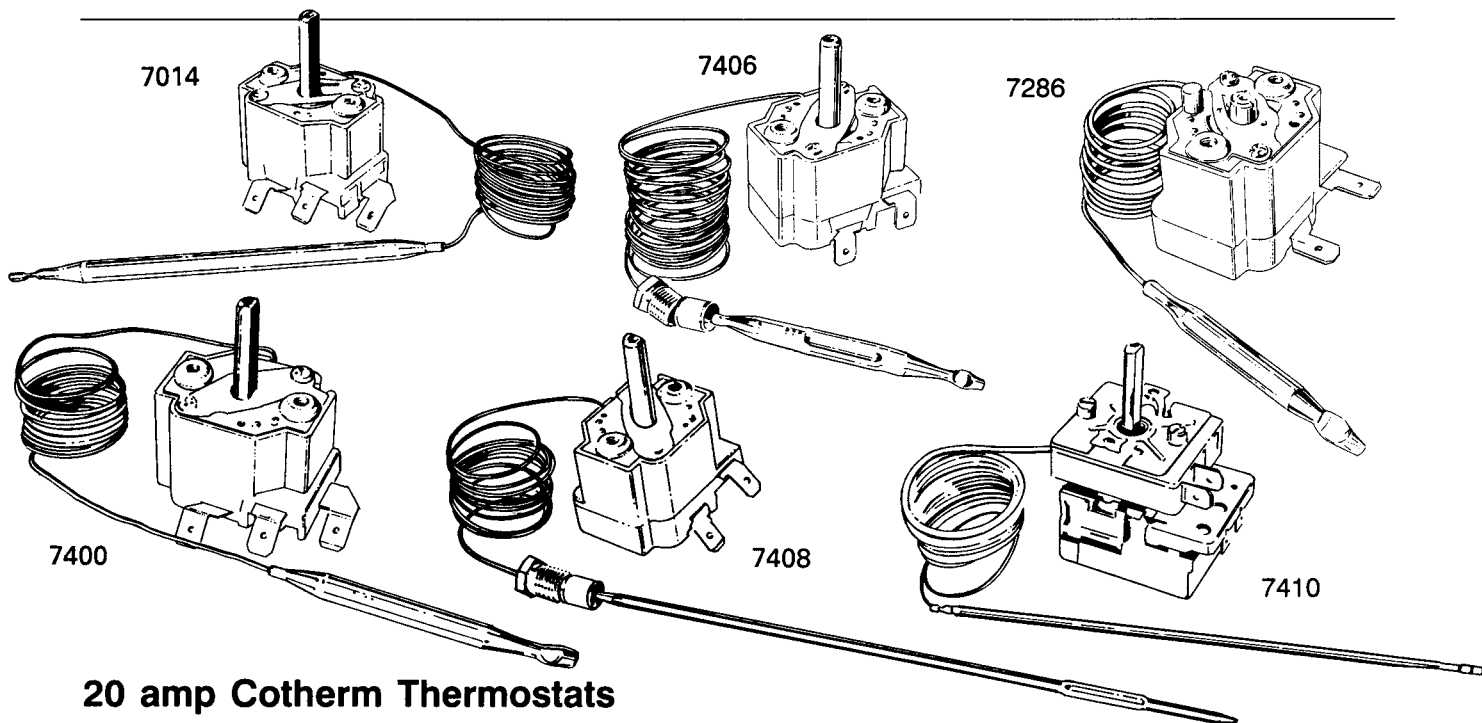
Catalogue No. and Typical Use	Temp. Range and Differential	Bulb Diam., Bulb Length Capillary Length	Remarks
EA3-447-08 Domestic	140-550°F 70-290°C	B.D. 3/16" - 5mm B.L. 11 5/8" - 288mm C.L. 60" - 1520mm	N.B. To convert to centre nut mounting 101 Adaptor Kit
EA5-907-9 Chicken Brooder, etc.	50-120°F 10-50°C 2°F Diff.	B.D. 3/8" - 10mm B.L. 8 1/2" - 215mm C.L. 36" - 915mm	Knobs P2718 (C°) Replaces original equipment Part No. EA5-907-36
EA5-607-0 Drink Warmer Cafe Bar, Bain Marie, Hosp. Equip.	60°-250°F 15-120°C 6°F Diff.	B.D. 3/8" - 10mm B.L. 4 1/2" - 115mm C.L. 72" - 1830mm	Nickel plated bulb and capillary knobs P2662(C°) Replaces original equipment Part No. EA5-607-42
EA5-501-9 Hosp. Equip. Etc.	80-220°F 25-105°C 5°F Diff.	B.D. 3/8" - 10mm B.L. 5 3/4" - 145mm C.L. 48" - 1220mm	Knob P2646 (C°) Replaces original equipment Part No. EA5-501-48
EA5-701-4 Fryer	200-400°F 95-205°C 7°F Diff.	B.D. 3/8" - 10mm B.L. 5 3/4" - 145mm C.L. 36" - 1220mm	Nickel plated bulb and capillary complete with olive type stuffing box. Knobs P2670 (C°). Replaces original equipment Part Nos. EA5-701-36, EA5-705-36, EA5-714-36, EA5-716-36, EA5-718-36
EA5-911-6 Hosp. Equip.	100-450°F 30-230°C 9°F Diff.	B.D. 3/8" - 10mm B.L. 3 7/8" - 98mm C.L. 36" - 915mm	Cadmium plated bulb and capillary knobs P2726 (C°). Replaces original equipment Part Numbers EA5-911-36, EA5-908-36
EA5-909-5 Hosp. Equip.	100-450°F 30-230°C 9°F Diff.	B.D. 3/16" - 5mm B.L. 10 1/4" - 260mm C.L. 36" - 915mm	Knobs P2726 (C°) Replaces original equipment Part Number EA5-909-36
EA5-406-7 Bake Oven	150-550°F 70-290°C 12°F Diff.	B.D. 3/8" - 10mm B.L. 3 7/8" - 98mm C.L. 72" - 1830mm	Knobs P2638 (C°). Replaces original equipment Part Numbers EA5-406-72, EA5-406-36, EA5-203-36, EA5-204-36, EA5-498-36
EA5-497-2 Bake Oven	150-550°F 70-290°C 12°F Diff.	B.D. 3/16" - 5mm B.L. 11 5/8" - 288mm C.L. 72" - 1830mm	Nickel plated bulb and capillary knobs P2638 (C°). Replaces original equipment Part Numbers EA5-497-72, EA5-401-42, EA5-401-54, EA5-401-72, EA5-402-42, EA5-402-72, EA5-420-42, EA5-424-72, EA5-493-72, EA5-494-42, EA-495-54
EA9-910-1 Pizza Oven	250-850°F 120-450°C 15°F Diff.	B.D. 1/4" - 4mm B.L. 10 1/4" - 210mm C.L. - 1200mm	Stainless steel bulb and capillary Knobs P2777 (C°).
EB3-525-7 Bake Oven	150-550°F 70-290°C 12°F Diff.	B.D. 3/16" - 5mm B.L. 11 5/8" - 288mm C.L. 72" - 1220mm	Double Pole Knobs P2638 (C°). Replaces original equipment Part Numbers EB3-500-42, EB3-501-42, EB3-510-42, EB3-511-42, EB3-512-42, EB3-519-72, EB3-522-54, EB3-523-72, EB3-525-72
EB-505-4 Fish Fryer	200-400°F 95-205°C 7°F Diff.	B.D. 3/8" - 100mm B.L. 5 3/4" - 145mm C.L. 36" - 915mm	Nickel plated bulb complete with stuffing box. Knob P2670 (C°). Replaces original equipment Part Numbers EB3-504-36, EB3-505-36, EB3-506-36, EB3-511-36, EB3-520-36

Commercial Type Replacement Electric Thermostats (Robertshaw)

Cat. No.	Typical Application	Suitable Dial Knob (order separately)	Cat. No.	Typical Application	Suitable Dial Knob (order separately)
EA5-907-9	Chicken brooder, etc.	P2718 10-50°C	EA5-406-7	Bake oven	P2638 70-290°C
EA5-607-0	Drink warmer, bain marie	P2662 15-120°C	EA5-497-2	Bake oven	P2638 70-290°C
EA5-501-9	Hospital equipment, etc.	P2646 25-105°C	EA9-910-1	Pizza oven	P2777 120-450°C
EA5-701-4	Fryer	P2670 95-205°C	EB3-525-7	Bake oven	P2638 70-290°C
EA5-911-6	Hospital equipment	P2726 30-230°C	EB3-505-4	Fish fryer	P2670 95-205°C
EA5-909-5	Hospital equipment	P2726 30-230°C			

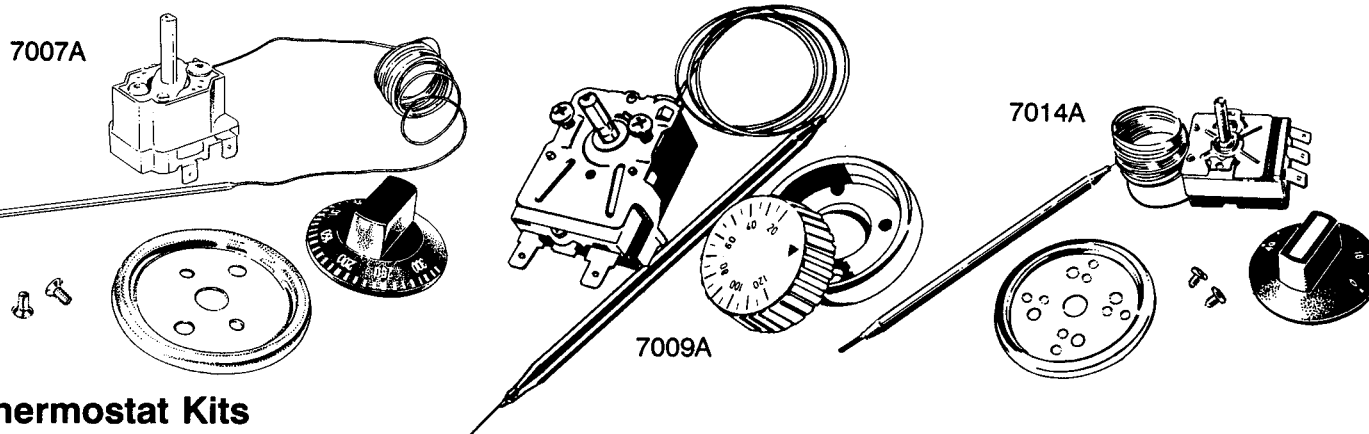
Note: STANDARD BEZEL Part No. D6194 STUFFING BOX (GLAND) Part No. 5329 CAPILLARY CLIP Part No. 7384

Cothem Thermostats (20A) and Thermostat Kits



20 amp Cothem Thermostats

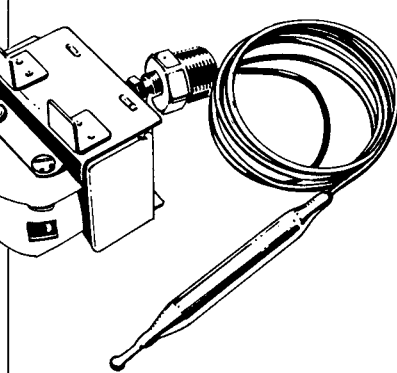
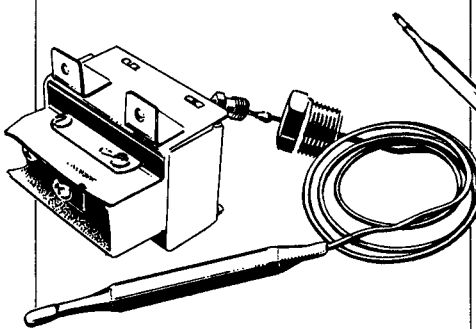
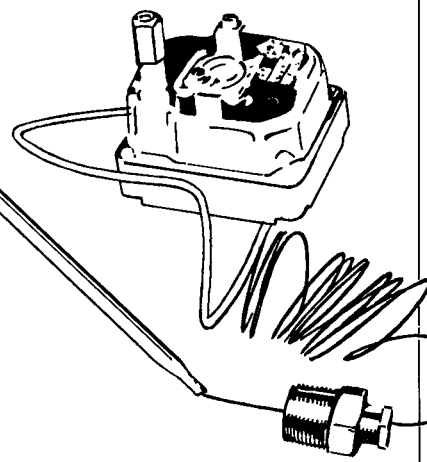
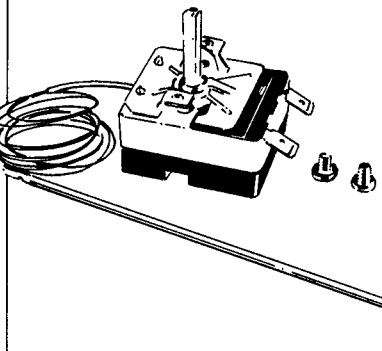
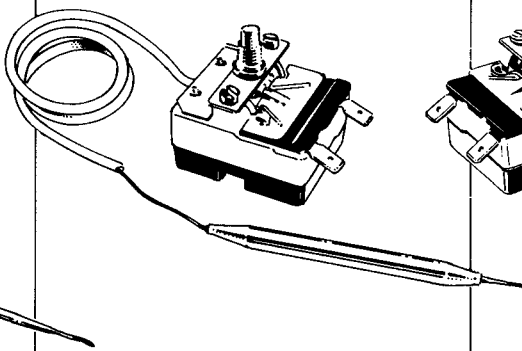
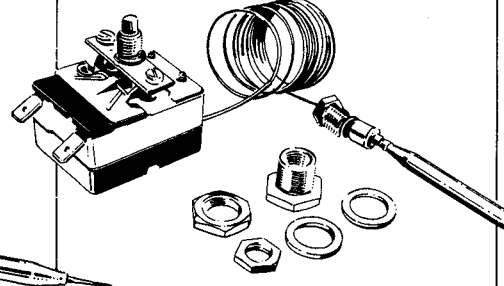
STOKES Part No.	Range °C	Diff. °C	Rating 240 volts	Capillary length mm	Bulb Size mm	Stuffing Gland	Applications	Replaces EGO P/Nos.	Knob Stokes P/N
7014	0-40	2	20 amp	1450	stainless steel 122 x 3	NO	Spas, incubators, propagation animal husbandry, air cond., etc.	55.13204.010	7014K
7400	30-110	3	20 amp	1430	74 x 6	NO	Bain maries, urns, dishwashers wash mach., wash boilers etc.	55.13224.030	7400K
7406	30-120	3	20 amp	1430	74 x 6	YES	Steriliser equip., bain maries, d/washers, wash. machines, etc.	55.13022.310 55.18022.020	7400K
7408	95-205	4	20 amp	830	176 x 3	YES	Fish fryers, deep fat fryers, etc.	55.13042.180	7408K
7410	50-320	7	20 amp	1450	139 x 3	NO	Ovens, etc.	55.13064.050 55.18064.020	7401K 7401K
7286	60-150	4	16 amp	525	copper 66 x 6	NO	Manual reset		



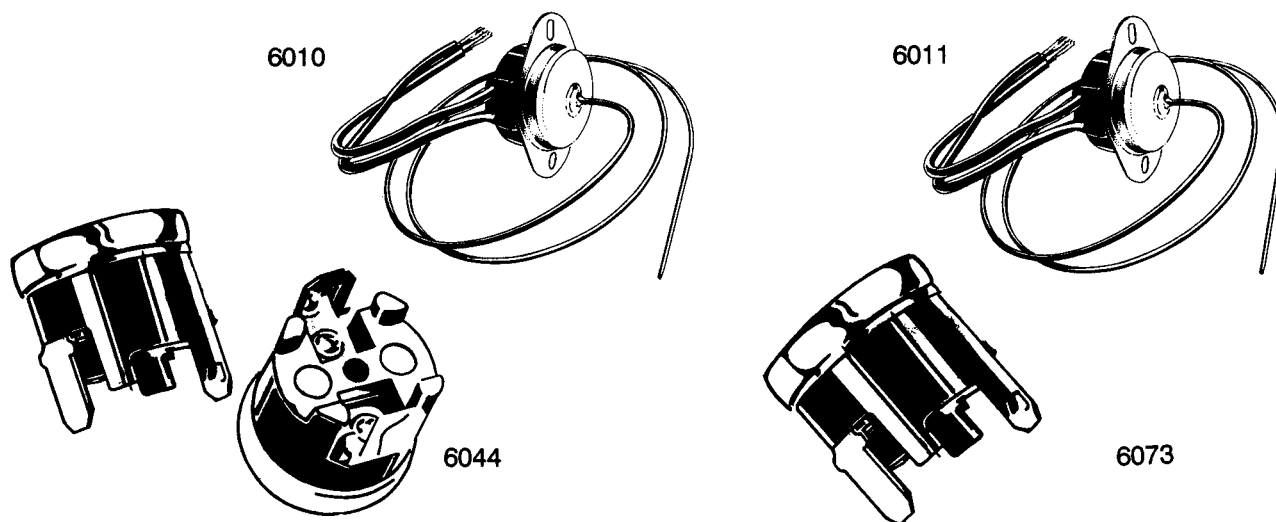
Thermostat Kits

STOKES Part No.	Range °C	Diff. °C	Rating 240 volts	Capillary length mm	Stainless Steel Bulb mm	Stuffing Gland	Applications	Replaces EGO P/Nos.	Knob Stokes P/N
7007A	50-320	7	20 amp	1450	139 x 3	NO	Ovens, etc.	55.13064.050 55.18064.020	KIT
7009A	30-110	3	20 amp	1430	74 x 6	NO	Bain maries, urns, dishwashers wash mach., wash boilers etc.	55.13224.030	KIT
7014A	0-40	2	20 amp	140	122 x 3	NO	Spas, incubators, propagation, animal husbandry, air cond., etc.	55.13204.010	KIT

Over-temperature Safety Cutout (for use in commercial catering equipment)

 <p>LCH-0025 Energy Cutout 232°C Manual reset</p>	 <p>LCCM-0017 Energy Cutout 232°C Automatic reset</p>	 <p>9628 Energy Cutout 235°C with gland. Used in some Luke equipment. EGO ref. - 51.63955.040</p>
 <p>9629 50-320°C adjustable cutout with manual reset. EGO ref. - 55.13452.010</p>	 <p>55.13511.060 Overtemp 55°C used in spas (possible alternative to Stokes 6011)</p>	 <p>7417 Cutout 238°C Manual reset. EGO ref. 55.13544.010</p>

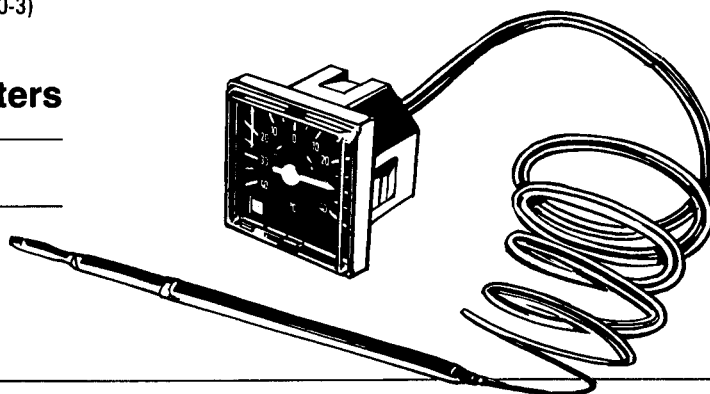
Thermo-O-Disc General and Special Purpose Thermostats



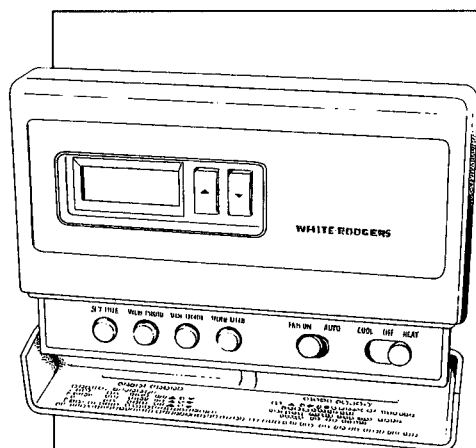
Cat. No.	Description
6010	Remote Hi-Limit Thermostat Manual Reset Open fixed setting 120°C, capillary length 610mm, dia. 2mm, rated 25 amp (resistive) 240 volt AC. Use: water and air
6011	Remote Hi-Limit Thermostat Manual Reset Open fixed setting 75°C, capillary length 610mm, dia. 2mm, rated 25 amp (resistive) 240 volt AC. Use: water and air
6013	Contact Thermostat S.P.S.T. Open 87°C, Closed 79°C. Rated 25 amp (resistive) 240 volt AC. Screwed terminals. Use: air
6023	Contact Thermostat S.P.S.T. Open 113°C, Closed 88°C. ½" disc. rated 10 amp (resistive) 240 volt AC. Quick connect terminal. Use: electric kettle
6033	Airstream Contact Thermostat S.P.S.T. Adjustable range 88-110°C, ¾" disc. rated 25 amp (resistive) 240 volt AC. Quick connect terminal. Use: air
6034	Airstream Contact Thermostat S.P.S.T. Adjustable range 32-54°C, ¾" disc. rated 25 amp (resistive) 240 volt AC. Quick connect terminal. Use: air
6044	Contact Thermostat S.P.S.T. Open 130°C, Close 88°C ½" disc. rated 10 amp (resistive) 240 volt AC. Quick connect terminal. Use: electric urns
6068	Contact Thermostat S.P.S.T. Open 49°C, Close 41°C, ½" disc. rated 10 amp (resistive) 240 volt AC. Quick connect terminal. Use: clothes dryers (Replaces Simpson Part No. 541-300-7)
6069	Contact Thermostat S.P.S.T. Open 57°C, Close 47°C ½" disc. rated 10 amp (resistive) 240 volt AC. Quick connect terminal. Use: clothes dryers (Replaces Simpson Part No. 541-300-8)
6073	Contact Thermostat S.P.S.T. Open 90°C, Close 45°C ½" disc. rated 10 amp (resistive) 240 volt AC. Quick connect terminal. Use: clothes dryers (Replaces Simpson Part No. 541-300-15)
6049	Contact Thermostat S.P.S.T. Open 50°C, Close 63°C ½" disc. rated 10 amp (resistive) 240 volt AC. Quick connect terminal. Use: dishwashers (Replaces Simpson Part No. 541-400-3)

Remote Reading Thermometers

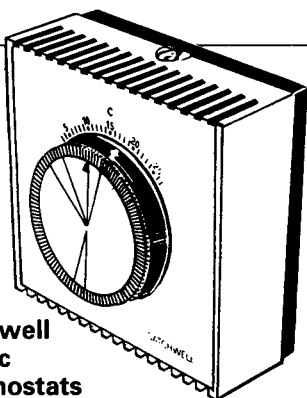
Stokes Cat. No.	Temperature Range
7013	0 - 400°C
7025	0 - 120°C
7026	- 40 - +40°C



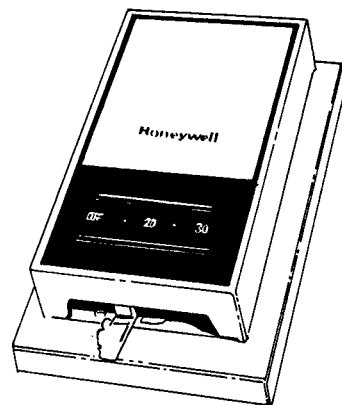
Room Thermostats



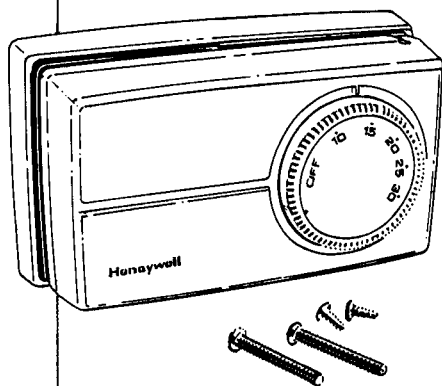
IF80-51
24 Volt GAS ONLY. Wall Thermostat (white)
Single stage, heating and cooling. Fully
programmable. Not to be used with
millivolt systems.



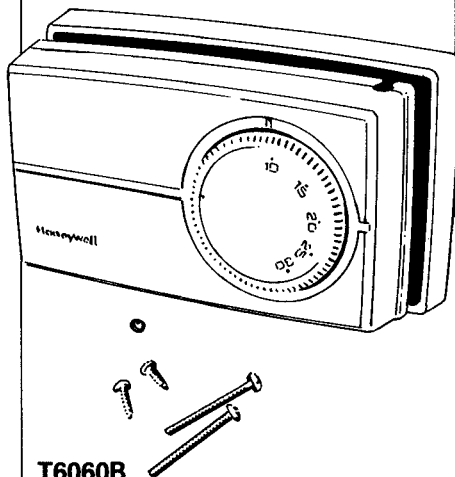
**Satchwell
Sunvic
Thermostats**
TLX2351
Room thermostat.
Temperature range 3-27°C
Electrical rating – 1 amp at 24v
TLX2356
Room thermostat.
Temperature range 3-27°C
Electrical rating – 2 amp at 240 volt



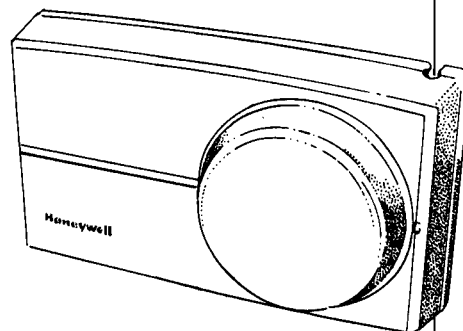
T822D 1636
Heating thermostat. Reliability plus. 24v.
Adjustable heat anticipator. Manual
positive off. Range 10-30°C



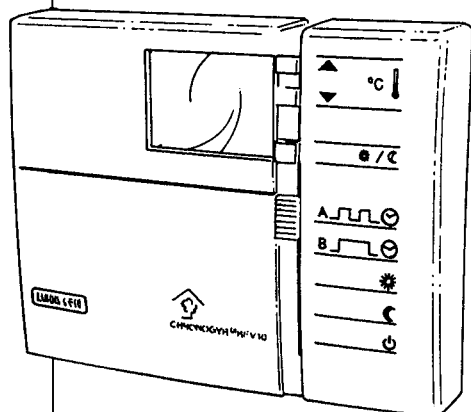
T4060B
Room Thermostat (20 amp resistive 240
volt) SPST switching with "OFF" position
(heating only).



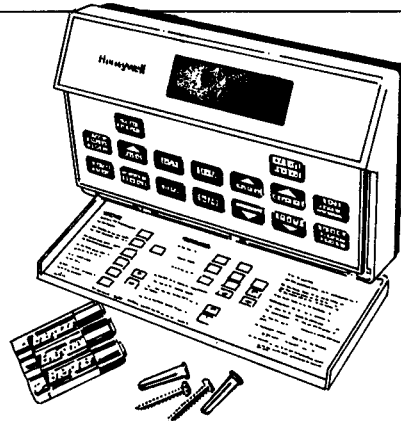
T6060B
Room thermostat (20 amp) SPDT (heat or
cool). 240 volt.
(Q660B sub-base available for this part)



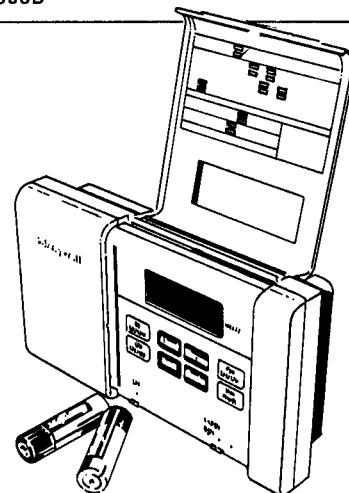
R42
Tamper Proof Cover for T6060B and
T4060B



GC041
Simple operation. Fully programmable.
Frost protection. Digital. Switching
capacity, 24 volt 250VA. Current 10 (5)
amps. Heating only.



GC064
T8602C1038 Programmable Thermostat.
Programmable 5-1-1 days. Programmable
positive off. Sub-base system: Heat-Off-
Cool. Fan: Auto-On. Directly replaces T822,
T87 and other 24v thermostats.
Adaptive intelligent recovery.



GC065
T8132A 1049. New Programmable Heating
Thermostat. Premier white colour. 5-2 day
programmable. Range 7-31°. No A.I.R. or
programmable positive off.

Temp. Range	Stokes Part No.	OEM Part No. and Information	Type	Diff.	Elec. Rating	Capillary Length	Bulb Size	Gland	Uses and Applications
0 - 40	7014		SPDT	2°C	20A/240V	1450	122 x 3	No	Spas, Incubators, Animal Husbandry, etc.
0 - 40	7014A	Kit includes Knob and Bezel	SPDT	2°C	20A/240V	1450	122 x 3	No	Spas, Incubators, Animal Husbandry, etc.
0 - 90	9742	EAT106	Digital	5°C	10A/12V	1465	35 x 6.1	No	
8 - 34	55.34202.040	Bonaire Pyrox 0162361	TPST	2°C	16A/240V	880	215 x 6	No	Hot Houses, Propagation, Air Conditioning
10 - 50	EA5-907-9	EA5-907-9		2°F	25A/240V	915	215 x 10	No	Chicken Brooders, etc.
15 - 120	EA5-607-0	EA5-607-0		6°F	25A/240V	1830	115 x 10	No	Cafe Bar, Bain Maries, Hospital equip.
20 - 50	7411	50.13202.130	SPDT	1.5°C	16A/240V	830	175 x 6	No	Hot Houses, Incubators
25 - 105	EA5-501-9	EA5-501-9		5°F	25A/240V	1220	145 x 10	No	Hospital Equipment, etc.
30 - 120	7406		SPST	3°C	20A/240V	1430	74 x 6	Yes	Steriliser Equip., Bain Maries, Dishwashers
30 - 110	7400		SPDT	3°C	20A/240V	1430	74 x 6	No	Bain Maries, Urns, Dishwashers, Wash Boilers
30 - 110	7009A	Kit includes Bezel and Knob	SPDT	3°C	20A/240V	1430	74 x 6	No	Bain Maries, Urns, Dishwashers, Wash Boilers
30 - 230	EA5-911-6	EA5-911-6		9°F	25A/240V	915	98 x 10	No	Hospital Equipment, etc.
30 - 230	EA5-909-5	EA5-909-5		9°F	25A/240V	915	260 x 5	No	Hospital Equipment, etc.
30 - 110	55.34024.040	55.34024.040	TPST	5°C	16A/240V	1440	140 x 6	No	Commercial Water Boilers
30 - 110	55.13024.020	Replaces GI.502	SPST	3°C	16A/240V	1430	115 x 6	Yes	Water Boilers, Urns, Bain Maries
45 - 110	51.01995.050		SPST	3°C	20A/240V	1290	173 x 6	No	Commercial Bain Maries, Water Boilers
50 - 320	9782	St George	SPST	7°C	16A/240V	1430	160 x 3	No	Aux. Switch - Ovens

Thermostat Quick Selection Guide (continued)

Temp. Range	Stokes Part No.	OEM Part No. and Information	Type	Diff.	Elec. Rating	Capillary Length	Bulb Size	Gland	Uses and Applications
50-320	9781	St George	SPST	7°C	16A/240V	1430	160 x 3	No	Fan Switch – Ovens
50-320	9780	Chef 44100 and St George	SPST	7°C	16A/12V	1430	160 x 3	No	Ovens
50-320	9629	55.13452.010	SPST	Manual Reset	16A/240V	830	160 x 3	No	Manual reset – where over-temperature protection required
50-450	7415	55.15072.010	SPST	12°C	16A/240V	840	308 x 4	No	Pizza Ovens
50-320	7410		SPST	7°C	20A/240V	1450	139 x 3	No	Ovens
50-320	7401	Email & Simpson 541.1.208	SPST	6°C	16A/240V	1470	160 x 3	No	Ovens – 55.18664.020 replaces 55.13664.010
50-300	7418	55.34052.010	TPST	10°C	16A/240V	840	79 x 6	No	Commercial Ovens – 3 Pole
50-250	7414	55.13244.010	SPDT	6°C	16A/240V	1430	160 x 3	Yes	Ovens, Steam Ovens – Reversible Contacts
50-320	7007A	Kit includes Knob and Bezel	SPST	7°C	20A/240V	1450	139 x 3	No	Ovens, etc.
60-205	7408		SPST	4°C	20A/240V	830	176 x 3	Yes	Fish Fryers, Deep Fat Fryers, etc.
60-200	7407		SPST	5°C	16A/240V	1430	77 x 6	Yes	Fish Fryers, Deep Fat Fryers, etc.
65-208	7409		SPST	8°C	20A/240V	830	93 x 3	No	Ovens, Griddle Plate
65-288	7011A	Kit includes Knob and Bezel	SPST	8°C	16A/240V	830	93 x 4	No	Ovens, Griddle Plate - replaces GI.501, EA5-497-02
68-200	7412	55.34032.050	TPST	12°C	16A/240V	870	75 x 6	Yes	Deep Fat Fryers – Triple Pole
70-290	EA3B-441-A	Aux. Type Therm.			20A/240V		300 x 4.8	No	St George, Westinghouse and others
70-290	EB3-525-7		DP	12°F	20A/240V	1220	288 x 5	No	Bake Ovens <i>(continued overleaf)</i>

88 Thermostat Quick Selection Guide (continued)

Temp. Range	Stokes Part No.	OEM Part No. and Information	Type	Diff.	Elec. Rating	Capillary Length	Bulb Size	Gland	Uses and Applications
70-290	EA5-497-2	Nickel Bulb and Cap		12°F	20A/240V	1830	288 x 5	No	Bake Ovens
70-290	EA3A-491-3	Aux. Type Therm.			20A/240V	1440	300 x 4.8	No	Malleys
70-290	EA3A-485-8	Aux. Type Therm.			20A/240V	1440	300 x 4.8	No	Malleys
70-290	EA3B-481-5	Aux. Type Therm.			20A/240V	1320	180 x 4.8	No	St George
70-290	EA3F-472-8	Aux. Type Therm.			20A/240V	1670	300 x 4.8	No	Malleys
70-290	EA3-447-08	Use 101 for Centre Mount	SPST		20A/240V	1520	288 x 5	No	Chef and most others
70-290	EA3CB-442-8	Aux. Type Therm.			20A/240V	1440	300 x 4.8	No	Chef, Simpson and others
70-290	EA3B-443-6	Aux. Type Therm.			20A/240V	1440	180 x 4.8	No	Metters
70-290	EA3AD-440-1	Aux. Type Therm.			20A/240V	1760	300 x 4.8	No	Chef, Malleys and others
70-290	EA5-406-7	Aux. Type Therm.		12°F	20A/240V	1830	98 x 10	No	Bake Ovens
70-290	EA3A-308-9	Aux. Type Therm.			20A/240V	1440	300 x 4.8	No	St George
79-310	E3A-201	Stainless with Aux.	SPST	5°C	16A/240V	1400	144 x 3	No	Oven Thermostat – Chef and others – “NEW”
95-205	7413	Gold Contacts	SPST	4°C	0.5A/12V	830	157 x 4	Yes	Gas Deep Fryers – Gold Contacts
95-205	EA5-701-4	Nickel Bulb & Cap c/w Stuffing Gland		7°F	20A/240V	915	145 x 10	Yes Olive Type	Fryers
95-205	EB3-505-4	Nickel Bulb & Cap c/w Stuffing Gland		12°F	20A/240V	915	145 x 10	Yes	Fish Fryers
95-205	55.13042.180		SPST	4°C	16A/240V	830	157 x 4	Yes	Fish Fryers, Deep Fat Fryers
120-450	EA9-910-1	Stainless Bulb and Cap		15°F	25A/240V	1220	288 x 5	No	

Cross Reference – Oven Thermostats – Robertshaw

Original Part No.	Temp Range	Appliance Manufacturer	Stokes Replacement
EA33002	70-290°	St George	Limited avail.
EA33010	70-290°	Roden	EA34478
EA33029	71°	St George	Limited avail.
EA33037	70-290°	Shacklock	EA3445
EA33045	70-290°	Email	EA34478
EA33053	70-290°	St George	Limited avail.
EA33061	70-290°	Shacklock	Not available
EA3307A	70-290°	St George	Limited avail.
EA33088	70-290°	Email	EA3445
EA33096	70-290°	St George	EA33096
EA33109	70-290°		EA3445
EA33117	76°	St George	Limited avail.
EA33125	70-290°	Email	EA3445
EA33133	70-290°	Roden	EA34478
EA33141	70-290°	Roden	EA34478
EA3315	70-290°	St George	EA34478
EA3316	70-290°	St George	Limited avail.
EA34005	70-290°		EA3445
EA34013	70-290°	Atlas	EA3445
EA34021		Email	Not available
EA3403A	70-205°		Limited avail.
EA34048	70-110°	Hecla	EA34195
EA34152	70-290°	Shacklock	Not available
EA34160	66°		Not available
EA34179	70-290°	Sephco	EA3445
EA34187	70-290°	Sephco	EA3445
EA34195	70-110°	Birco	EA34195
EA34208	70-290°	New World	EA3445
EA34216	70-290°	New World	EA3445
EA34224	70-290°	St George	EA3445
EA34232	70-290°	J Veness	EA3445
EA34240	70-290°		EA3445
EA34259	70-290°	Aust Rad	EA3445
EA34267	70-290°		EA34478
EA34275	Fixed		Not available
EA34283	70-290°	Roden	EA34478
EA34291	70-290°	Backwell	EA34478
EA34304	70-290°	New World	EA3445
EA34312	70-290°	Roden	EA34478
EA34320	70-290°	Metters	EA34478
EA34339	70-290°	GEC	EA3445
EA34347	70-180°	C & S	EA34347
EA34355	70-290°	Email	EA34478
EA34363	70-230°	Gameco	Not available
EA34371	70-180°	C & S	Not available
EA34380	70-290°	Walmac	EA34478
EA34398	70-290°	GEC	EA34478
EA34400	70-290°	Metters	EA34478
EA34419	70-290°		EA34478
EA34427	70-290°	Modern Maid	EA34478
EA34435	70-290°	Modern Maid	EA34478

Original Part No.	Temp Range	Appliance Manufacturer	Stokes Replacement
EA34443	70-290°	AEI	EA34478
EA3446A	70-290°		EA34478
EA34478	70-290°	Uniline	EA34478
EA34486	70-290°	Email	EA34478
EA34507	70-290°	AEI	Not available
EA34523	70-290°	Atlas	EA34478
EA34558	70-290°	Simpson	EA34478
EA34574	70-290°	Simpson	EA34478
EA34582	70-290°	Aust Heat	EA3445
EA34611	70-290°	Backwell	EA34478
EA34638	70-290°	Roden	EA34478
EA34654	70-290°	Malleys	EA34478
EA34662	70-290°	Malleys	EA34478
EA34670	70-290°	Malleys	EA34478
EA34689	70-290°	Malleys	EA34478
EA34697	70-290°	C & S	EA34478
EA34700	70-290°		EA34478
EA34718	70-290°	C & S	EA34478
EA34734	70-290°	Simpson	EA34478
EA34742	70-290°	Simpson	EA34478
EA3475A	70-290°	Vulcan	EA3445
EA34806	70-290°	Email	EA34478
EA34822	70-290°	Winning	EA34478
EA34830	70-290°	Email	EA34478
EA35008	25-105°	Std.	EA55019
EA35016	25-105°	Zip	EA55019
EA35024	25-105°	Zip	EA55019
EA35032	Fixed	Std.	Not available
EA35040	25-105°	Atherton	EA55019
EA35059	25-105°	Aust Heat	EA55019
EA3506	25-105°	Vulcan	Limited avail.
EA35075	25-105°	Sephco	EA55019
EA35083	25-105°	Sephco	Not available
EA35091	25-105°	Std.	EA55019
EA3510	Fixed	Zip	Limited avail.
EA3511	Fixed	Zip	Limited avail.
EA36000	15-120°	Std.	EA36158
EA36035	Fixed	Std.	Limited avail.
EA36043	49°	Space Ind	Limited avail.
EA36051	15-120°	Sephco	EA36158
EA36060	15-120°	Sephco	EA36158
EA36078	98°	Sephco	Not available
EA36086	47°	Aust Heat	Limited avail.
EA36094	15-120°	Radiation	EA36158
EA3610	Fixed	Langco	Not available
EA36123	15-82°	Acrow	EA36158
EA36131	15-89°	Sephco	EA36158
EA36158	15-120°	Aust Heat	EA36158
EA36166	82°	Tallents	Not available
EA36174	15-120°	Sephco	EA36158
EA36182	15-120°	Sephco	EA36158

Cross Reference – Oven Thermostats – Robertshaw

Original Part No.	Temp Range	Appliance Manufacturer	Stokes Replacement
EA3619	85°	Quick-A-Cup	Not available
EA36206	15-120°	Sephco	EA36158
EA36502	15-120°	Bell	EA36158
EA37003	95-205°	Std.	EA57014
EA37046	95-205°	Sephco	EA57014
EA37062	180°	Perth P/L	Not available
EA37070	95-205°	Radiation	EA57014
EA37089	146°	Advanx	Not available
EA37097	132°	Sephco	Not available
EA38006	10-32°	Std.	Not available
EA38030	10-32°	Convair	Not available
EA39068	46-82°	Ferrier	Not available
EA3A3011	70-290°	St George	Not available
EA3A3046	70-290°	St George	Not available
EA3A3089	70-290°	St George	Not available
EA3A4006	70-290°	Vulcan	EA3AD4401
EA3A4014	70-290°	Modern Maid	EA3AD4401
EA3A4022	70-290°	Roden	EA3AD4401
EA3A4030	70-290°	Email	EA3AD4401
EA3A4102	70-290°	Malleys	EA3AD4401
EA3A4110	70-290°	Malleys	EA3AD4401
EA3A4137	70-177°	G.M.	Not available
EA3A4380	70-290°	St George	Limited avail.
EA3A444	125-290°	Simpson	Limited avail.
EA3A4460	70-290°	Modern Maid	EA3AD4401
EA3A4575	70-290°	Email	EA3AD4401
EA3A4583	70-290°	C & S	EA3AD4401
EA3A4604	70-290°	St George	EA3AD4401
EA3A461	70-290°	St George	EA3AD4401
EA3A4807	70-290°	Malleys	EA3AD4401
EA3A4831	70-290°	Atlas	EA3AD4401
EA3A484A	70-290°	Malleys	EA3A4858
EA3A4858	70-290°	Malleys	EA3A4858
EA3A4874	70-290°	Atlas	EA3AD4401
EA3A4911	70-290°	Malleys	EA3AD4401
EA3A4920	70-290°	GEC	Not available
EA3A4938	70-290°	Scott	Not available
EA3A4954	70-290°	Atlas	EA3AD4401
EA3A7004	95-205°	Stewart	Not available

Original Part No.	Temp Range	Appliance Manufacturer	Stokes Replacement
EA3AD4401	70-290°	Uniline	EA3AD4401
EA3B3038	70-290°		Not available
EA3B3054	70-290°	Illawarra Mfg	EA3B441A
EA3B3062	70-290°	Email	EA3B441A
EA3B3070	70-290°	Davell	EA3B441A
EA3B4049	70-290°	St George	EA3B4049
EA3B4129	70-290°	G.M.	Not available
EA3B4145	70-290°	Scott	Not available
EA3B4372	70-290°	Metters	Not available
EA3B441A	70-290°	Uniline	EA3B441A
EA3B4436	70-290°	Metters	EA3B4436
EA3B4452	70-290°	St George	Not available
EA3B4591	70-280°	Metters	EA3B441A
EA3B4815	70-290°	St George	EA3B4815
EA3CB4428	70-290°	Uniline	EA3CB4428
EA3CB4479	70-290°	Osborne	EA3CB4428
EA3CB4487	70-290°	Osborne	EA3CB4428
EA3CB4495	70-290°	GEC	EA3CB4428
EA3CB4567	70-290°	Simpson	EA3CB4428
EA3CB4882	70-290°	C & S	EA3CB4428
EA3CB4890	70-290°	C & S	EA3CB4428
EA3CB4903	70-290°	C & S	EA3CB4428
EA3CB4997	70-290°	C & S	EA3CB4428
EA3D3020	70-290°	C & S	EA3AD4401
EA3D3097	70-290°	St George	EA3D3097
EA3D4559	70-290°	C & S	EA3AD4401
EA3D4823	70-290°	Roden	EA3AD4401
EA3D4866	70-290°	Roden	EA3AD4401
EA3D4946	70-290°	Roden	EA3AD4401
EA3D4962	70-290°	Atlas	EA3AD4401
EA3D497	70-290°	St George	Limited avail.
EA3F4701	70-290°	Malleys	Not available
EA3F4710	70-290°	St George	EA3F4728
EA3F4728	70-290°	Malleys	EA3F4728
EA3F4736	70-290°	Malleys	EA3F4728
EA3F4744	70-290°	Malleys	EA3F4728
EA3F4752	70-290°	Malleys	EA3F4728
EA3F4760	70-290°	Malleys	EA3F4728

Cross Reference – Infinite Switches

Original Part No.	Stokes Replacement
INF31100	323-14
INF31302	323-14
INF32100	323-14
INF32101	323-14
INF32108	-
INF32204	323-14
INF32205	322-05
INF32302	323-14
INF32303	323-14
INF32306	323-14
INF32307	323-14
INF32309	323-14
INF32311	323-14
INF32312	323-14
INF32314	323-14
INF32315	-
INF32316	323-14
INF32317	323-14
INF32318	323-14
INF32319	323-14
INF32413	323-14
INF51100	553-14 or T3V-700
INF51203	553-14 or T3V-700
INF51208	553-14 or T3V-700
INF51302	553-14 or T3V-700
INF51304	553-14 or T3V-700
INF51306	553-14 or T3V-700
INF51307	553-14 or T3V-700
INF51309	553-14 or T3V-700
INF52100	553-14 or T3V-700
INF52113	553-14 or T3V-700
INF52205	553-14 or T3V-700
INF52208	553-14 or T3V-700
INF52302	553-14 or T3V-700
INF52303	553-14 or T3V-700
INF52304	553-14 or T3V-700
INF52306	553-14 or T3V-700
INF52307	553-14 or T3V-700
INF52310	553-14 or T3V-700
INF52311	553-14 or T3V-700
INF54302	553-14 or T3V-700
INF55100	553-14 or T3V-700
INF55116	553-14 or T3V-700
INF55205	553-14 or T3V-700
INF55208	553-14 or T3V-700
INF55211	553-14 or T3V-700
INF52217	553-14 or T3V-700
INF55302	553-14 or T3V-700
INF55303	553-14 or T3V-700
INF55304	553-14 or T3V-700
INF55307	553-14 or T3V-700
INF55309	553-14 or T3V-700

Original Part No.	Stokes Replacement
INF55312	553-14 or T3V-700
INF55313	553-14 or T3V-700
INF55314	553-14 or T3V-700
INF55315	553-14 or T3V-700
INF55401	553-14 or T3V-700
INF55406	553-14 or T3V-700
INF57100	553-14 or T3V-700
INF57205	553-14 or T3V-700
INF57206	553-14 or T3V-700
INF57208	553-14 or T3V-700
INF57303	553-14 or T3V-700
INF57304	553-14 or T3V-700
INF57307	553-14 or T3V-700
INF57309	553-14 or T3V-700
INF57401	553-14 or T3V-700
INF58100	583-14 or T3V-700
INF58201	583-14 or T3V-700
INF58202	583-14 or T3V-700
INF58303	583-14 or T3V-700
INF58314	583-14 or T3V-700
INF58404	583-14 or T3V-700
INF81204	823-14 or TDV-800
INF81205	823-14 or TDV-800
INF81302	823-14 or TDV-800
INF81303	823-14 or TDV-800
INF82100	823-14 or TDV-800
INF82205	823-14 or TDV-800
INF82206	823-14 or TDV-800
INF82208	823-14 or TDV-800
INF82217	- TDV-800
INF82218	823-14 or TDV-800
INF82302	823-14 or TDV-800
INF82303	823-14 or TDV-800
INF82304	823-14 or TDV-800
INF82307	823-14 or TDV-800
INF82309	823-14 or TDV-800
INF82311	823-14 or TDV-800
INF82312	823-14 or TDV-800
INF82313	- TDV-800
INF82314	823-14 or TDV-800
INF82315	823-14 or TDV-800
INF82316	823-14 or TDV-800
INF82319	823-14 or TDV-800
INF82401	823-14 or TDV-800
INF92100	-
INF92205	922.05
INF92206	-
INF92210	-
INF92302	-
INF92303	-
INF92304	-
INF92401	-

Cross Reference – Vers-A-Fix Energy Regulators

Original Part No.	Stokes Replacement	Original Part No.	Stokes Replacement	Original Part No.	Stokes Replacement	Original Part No.	Stokes Replacement
T1-101	Special	T5-201	T3V-700	TL-207	TLV-850	TS1-205	TSV-600
T1-102	T3V-102	T5-202	T3V-700	TL6-201	TLV-850	TS1-206	TSV-600
T1-103	T3V-102	T5-203	T3V-700	TL6-205	TLV-850	TS1-207	TSV-600
T1-104	T3V-102	T5-204	T3V-700	TL6-207	TLV-850	TS4-201	TSV-600
T1-106	Special	T5-205	T3V-700	T5-207	T3V-700	TS4-203	Special
T1-210	T3V-700	T5-206	Special	T5-405	Special	TS4-204	TSV-600
T1-202	T3V-700	T5A-201	Special	T6-205	T3V-700	TS4-205	TSV-600
T1-203	T3V-700	T5A-202	Special	TD3-204	Special	TS4-207	TSV-600
T1-204	T3V-700	T5A-205	Special	TD3V-800	TDV-800	TS4V-600	TSV-600
T1-205	T3V-700	T6-101	T3V-102	TL-202	TLV-850	TSV-600	TSV-600
T1-206	Special	T6-102	T3V-102	TLV-850	TLV-850		
T1-207	Special	T6-201	T3V-700	TP-101	T3V-102		
T1-208	T3V-700	T6-204	Special	TP-102	T3V-102		
T1-501	Special	T6-206	Special	TP-103	T3V-102		
T1A-202	Special	T6-406	Special	TP-104	Special		
T1A-205	Special	T6V-700	T3V-700	TP105	TP-105		
T3-101	Special	TA-205	Special	TP-106	T3V-102		
T3-102	T3V-102	TD1SV-900	Special	TP-107	Special		
T3-103	T3V-102	TD3-101	TDV-800	TP-108	Special		
T3-104	Special	TD3-102	TDV-800	TP-201	T3V-700		
T3-105	Special	TD3-103	TDV-800	TP-202	T3V-700		
T3-106	Special	TD3-201	TDV-800	TP-203	Special		
T3-107	Special	TD3-203	TDV-800	TP-204	Special		
T3-108	T3V-102	TD3-205	TDV-800	TP-205	T3V-700		
T3-201	T3V-700	TD4-205	Special	TP-206	Special		
T3-203	T3V-700	TD5-201	TDV-800	TP-207	T3V-700		
T3-204D	T3-204D	TD5-202	TDV-800	TPA-202	Special		
T3-205	T3V-700	TD5-203	TDV-800	TPA-203	Special		
T3-206	Special	TD5-204	TDV-800	TPA-204	Special		
T3-207	Special	TD5-205	TDV-800	TPA-205	Special		
T3-405	Special	TD5-207	TDV-800	TPA-206	Special		
T3-406	Special	TD6-101	TDV-800	TPA-208	Special		
T3AV-750	Special	TD6-102	TDV-800	TPA-209	Special		
T3V-102	T3V-102	TD6-103	TDV-800	TPA-210	Special		
T3V-700	T3V-700	TD6-201	TDV-800	TPA-211	Special		
T4-101	T3V-102	TD6-203	TDV-800	TPA-212	Special		
T4-102	T3V-102	TD6-204	Special	TPA-215	Special		
T4-105	T3V-102	TD6-205	TDV-800	TPA-216	Special		
T4-106	T3V-102	TD6V-800	TDV-800	TPA-217	Special		
T4-201	T3V-700	TDP-101	TDV-800	TPA-218	Special		
T4-204	T3V-700	TDP-102	TDV-800	TPA-219	Special		
T4-205	T3V-700	TDP-103	TDV-800	TPAV-201	Special		
T4-206	Special	TDP-104	TDV-800	TPAV-202	Special		
T4-208	T3V-700	TDP-105	Special	TPAV-203	Special		
T4-209	Special	TDP-201	TDV-800	TPV-201	Special		
T4-210	Special	TDP-202	TDV-800	TR-201	Special		
T4-501	Special	TDP-205	TDV-800	TR-204	Special		
T4A-202	Special	TDP-207	TDV-800	TS1-201	TSV-600		
T4A-205	Special	TL-201	Special	TS1-202	TSV-600		
T5-101	T3V-102	TL-203	Special	TS1-203	Special		
T5-102	T3V-102	TL-205	Special	TS1-204	TSV-600		